

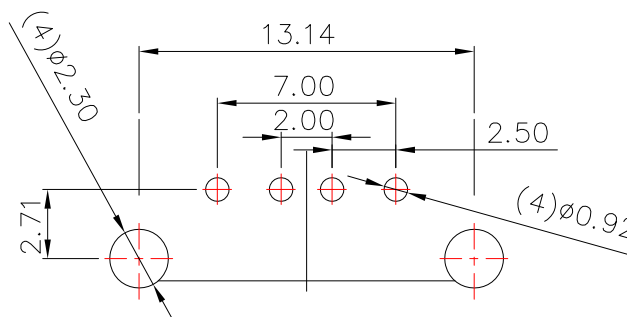
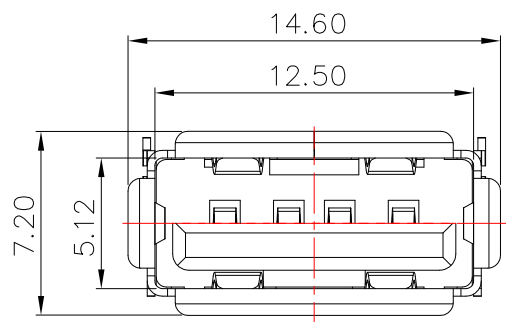


# SUA-110V7-x-S183

COLOR :

Black: B

White : W



PCB LAYOUT MOUNTING PATTERN

## SPECIFICATIONS

### Electrical:

1. Dielectric Withstanding Voltage: AC 500 V / 1MIN
2. Insulation Resistance: 1,000 MΩ Min
3. Contact Resistance: 30 mΩ Max

### Mechanical:

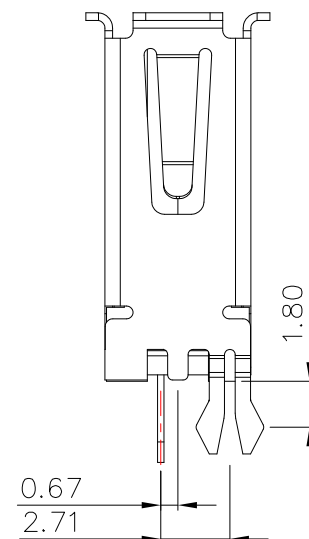
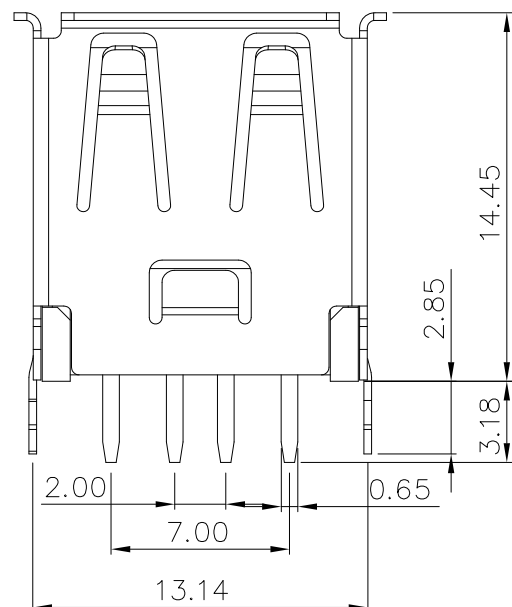
1. Connector Mate and Unmate Force
  - 1.1 Mate force: 3.57 kgf (Max)
  - 1.2 Unmate force: 1.02 kgf (Min)

### Material:

1. Housing: PBT, UL94V-0
2. Contact: Phosphor Bronze
3. Shell: Phosphor Bronze

### Finish:

1. Contact: Plated Gold in Mating Area ;  
Tin Plated on Solder Balls  
Nickel under plated overall
2. Shell: Nickel under Plated surface layer



**CONTACT** 建倚科技股份有限公司  
CONTACT TECHNOLOGY CORP.

TOLERANCE UNLESS OTHERWISE STATED:

Up to 5 ±0.2  
Above 5 ~ 15 ±0.3  
Above 15 ~ 30 ±0.4  
Above 30 ~ 50 ±0.5  
Angle ±0.3°

3RD. ANGEL'S



UNITS MM

DRAWN BY: Jack Lu  
CHECKED BY: Jacky Chen  
APPROVED BY: Tony Kao

DATE: 07/17/15  
DATE: 07/17/15  
DATE: 07/17/15

MAT'L		TITLE	CONNECTOR
FINISH		MODLE	USB A/F 直立式魚叉腳 L:14.45mm
SCALE	1 : 1	DWG NO.	SUA-110V7-x-S183
SHEET NO.	1 of 1	PART NO.	SUA-110V7-x-S183
		SIZE	A4
		VER	R

ITEM NO.	DESCRIPTION	DRAWN	DATE